

PERCENTAGE TIMER

PTA SERIES

APPLICATION DATA

Voltage Tolerance:

+10/-15% of nominal at 50/60 Hz

Load (Burden): Maximum of 3 VA for all voltages

Setting Accuracy: +/- 2%

Setting Precision: +/- 1% of total cycle time

Dial Resolution: Dial settings marked in 1% increments

Indication:

LED remains on steady during relay OFF time
LED blinks during relay ON time

Repeat Accuracy: (constant voltage and temperature):

+/-0.1% or +/- 0.04 seconds, whichever is greater

Reset Time: 300ms

Start-up Time: (Time from when power is applied until unit is timing): 0.05 Seconds

Temperature:

Operating: -28° to 65°C (-18° to 149°F)
Storage: -40° to 85°C (-40° to 185°F)

Output Contacts:

10A @ 240VAC / 7A @ 28V DC SPNO, 1/4hp @ 120V AC

Life:

Mechanical: 10,000,000 operations
Full Load: 100,000 operations

Mounting:

Panel Mount with supplied hardware

Termination:

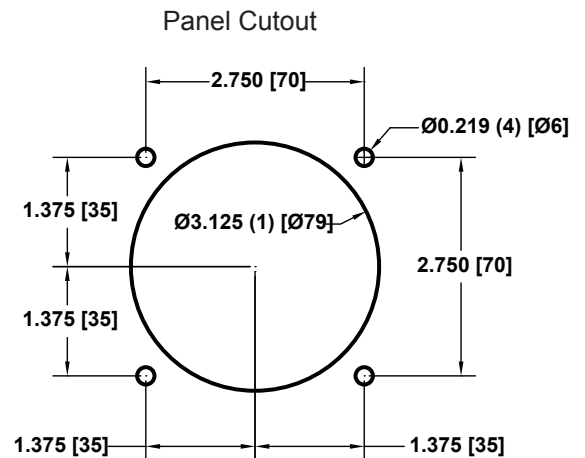
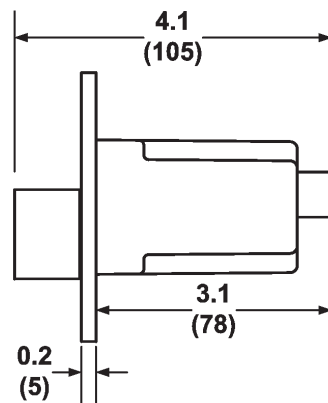
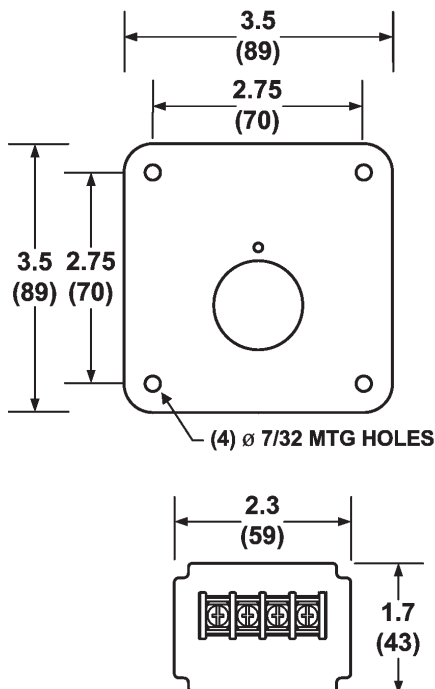
Pressure Clamp Screw Terminals
#12-22 AWG Wire, Solid, Stranded Wire
Recommended Tightening Torque 7 in-lbs. (12 in-lbs maximum)
PT Series Finger-Safe Terminal Cover P/N 70600



Approvals:



DIMENSIONS



All Dimensions in Inches (Millimeters)